

Figure 2 (Part 1 of 2). Maximum machine configuration for using the starter system

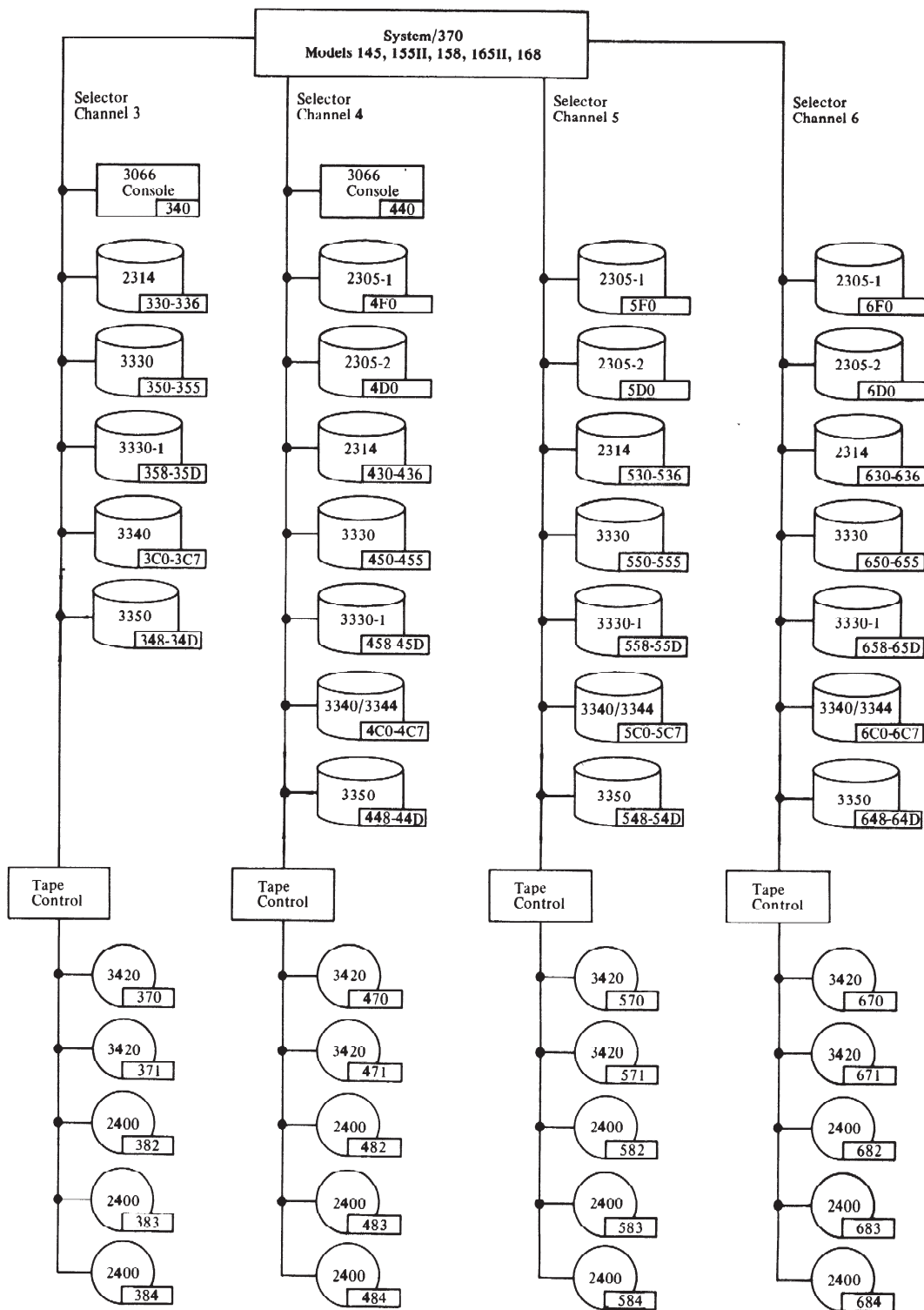


Figure 2 (Part 2 of 2). Maximum machine configuration for using the starter system